

Spreader Bars

Spreader bars for all lifting purposes

Primary application

Home care
Nursing homes
Hospital

A complete range of spreader bars in various sizes and models to suit all care needs and transfer situations. All Ergolet's spreader bars are equipped with our patented sling hook system.

The two point spreader bar is best suitable for a standard transfer where the client is of a normal stature. It is available in 3 widths.

Where clients are larger in stature it is more suitable to use Ergolet's unique V shaped 3-point spreader bar, which increases the distance between the shoulder strap section and the leg strap section, opening up the sling for a more comfortable lift. Also clients of normal stature will benefit from the supportive advantages of the 3 point spreader bar.

Transferring bariatric clients will require using our 4-point spreader bar which, when combined with the correct sling model and size, will benefit these large clients providing them with the proper support and comfort.

Key standard functions

Extensive range for specific and general use
Patented sling hooks on all spreader bars
Easily interchangeable to allow for multiple use
Can be used on both mobile lifters and ceiling hoists





2-point spreader bar for strap on Luna overhead lift.



3-point spreader bar mounted on Sole mobile lift.



4-point spreader bar mounted on Luna.



Spreader bar for bayonet on Luna. Spring loaded locking mechanism. To mount and dismount: Push in. Turn. Release.

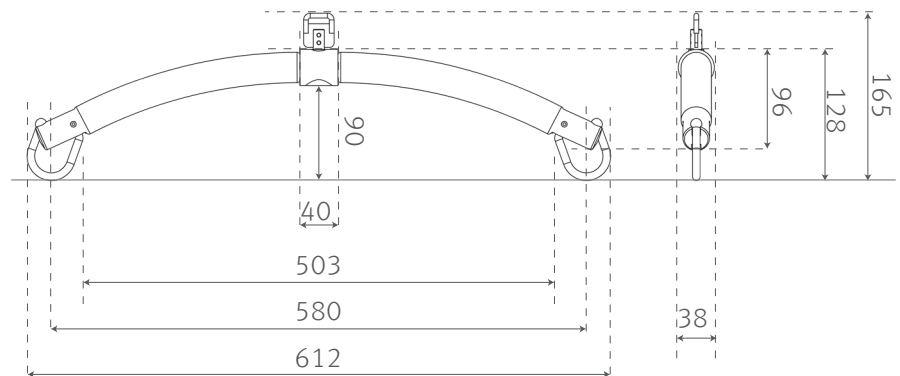
PRODUCT HIGHLIGHTS

- Can accommodate standard and bariatric lifting situations
- Modular to achieve multi flexibility
- Patented safety system on hooks
- Extensive sling range to accommodate varying client needs

Version	Item-number
2-point spreader bar	please contact Ergolet
3-point spreader bar	please contact Ergolet
4-point spreader bar	please contact Ergolet
Straight spreader bar	please contact Ergolet
Spreader bar for bayonet	please contact Ergolet
Spreader bar for strap	please contact Ergolet
<i>many other types available</i>	please contact Ergolet

TECHNICAL SPECIFICATION

Width	360/480/580 mm
Height	165 mm
Diameter	ø38 mm



Drawing refers to a Standard 2-point spreader bar 580 mm

Consult the Technical manual for further specifications. All figures and measurements are for guidance only and may differ in actual situations. Ergolet reserves the right to changes without notice.

Product photos may include accessories. Consult your dealer.



date 13.09.2012 - ver. 6

Ergolet
 Taarnborgvej 12C
 4220 Korsoer
 Denmark
 tel. +45 70 27 37 20
 e-mail: ergolet@ergolet.dk



www.ergolet.com